



CML Microcircuits

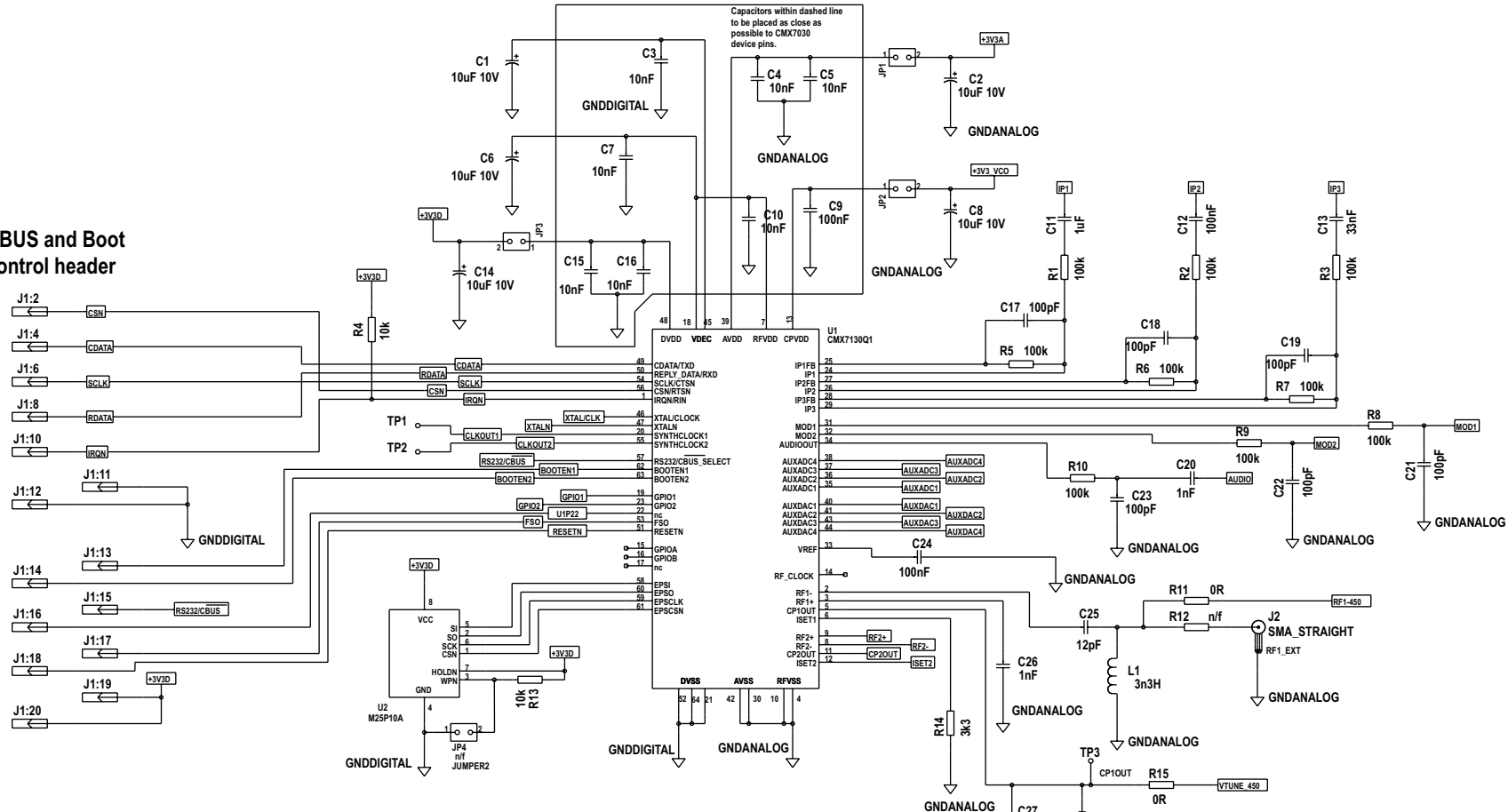
COMMUNICATION SEMICONDUCTORS

High Resolution Circuit Diagrams for PE0201

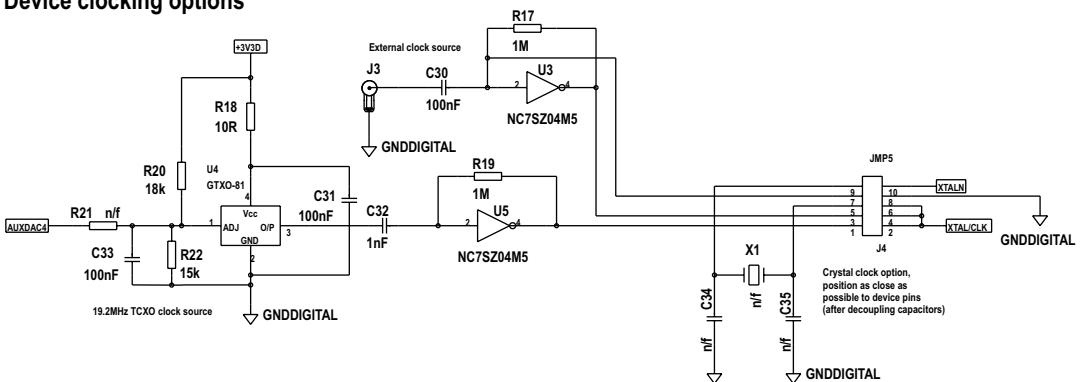
Complementary to CML User Manual: UM0201/8 May 2012
Diagram modified December 2012

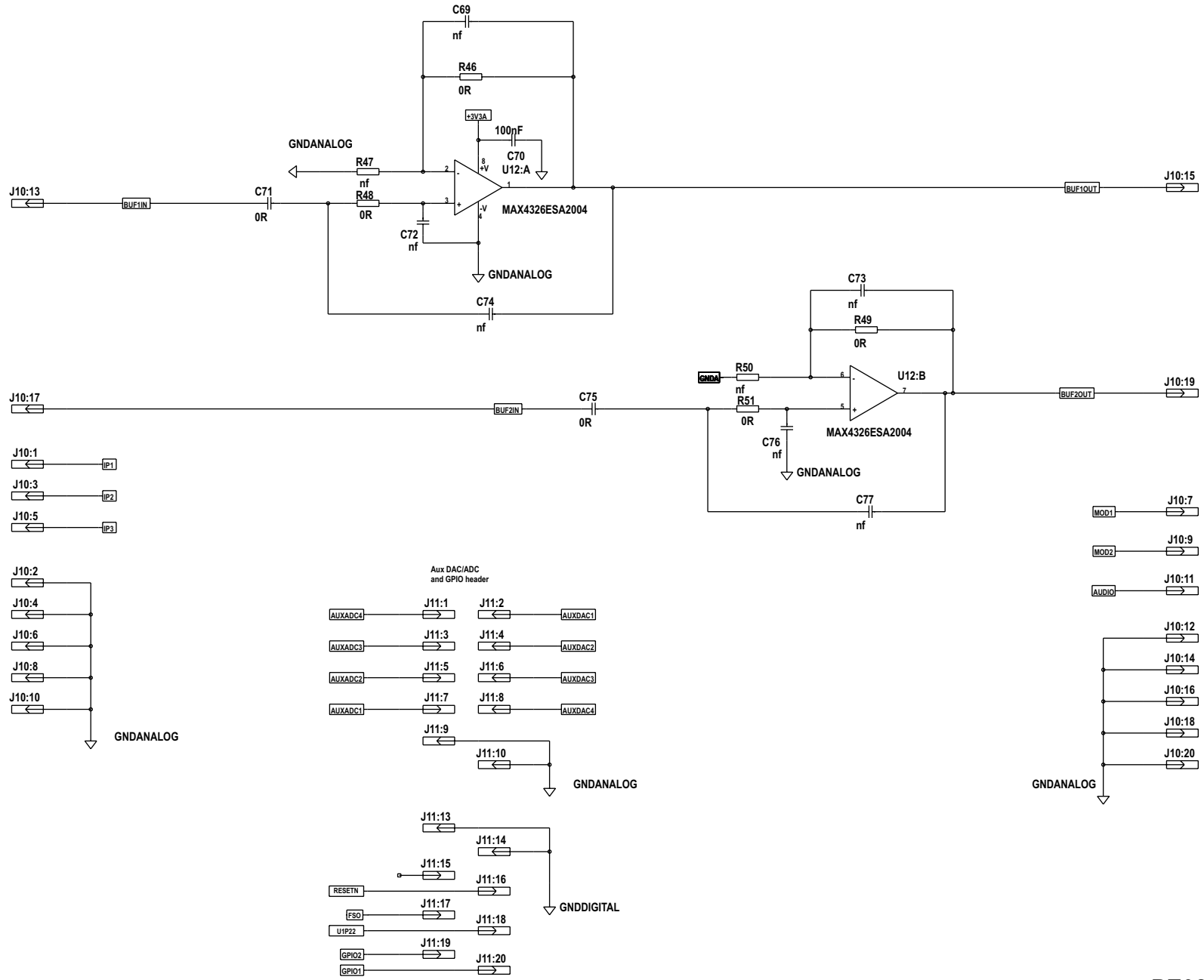
© 2012 CML Microcircuits

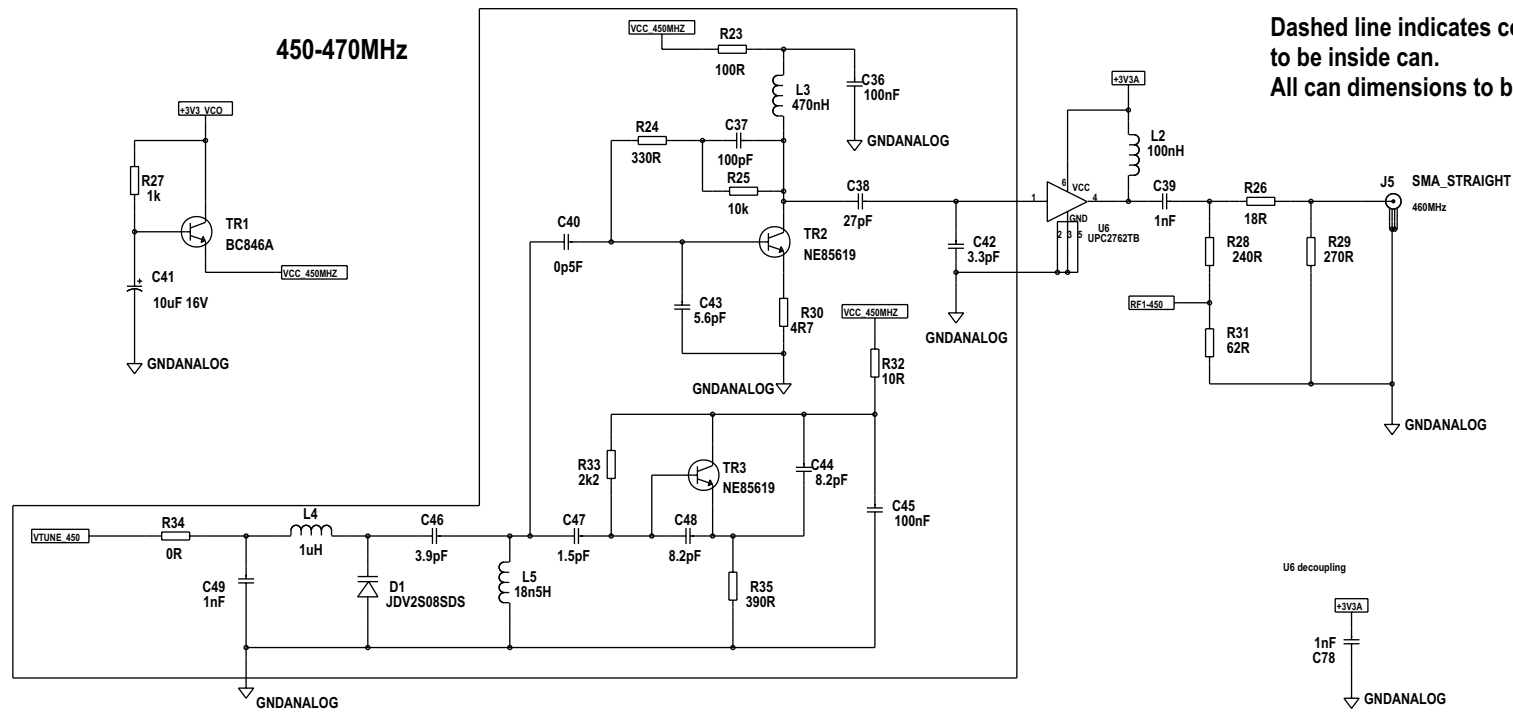
CBUS and Boot control header



Device clocking options







External connections for secondary VCO on RF2 synthesiser

